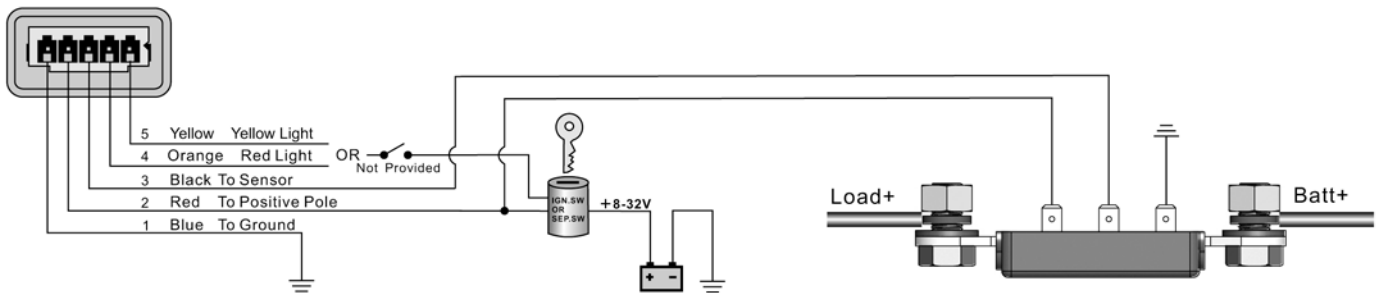
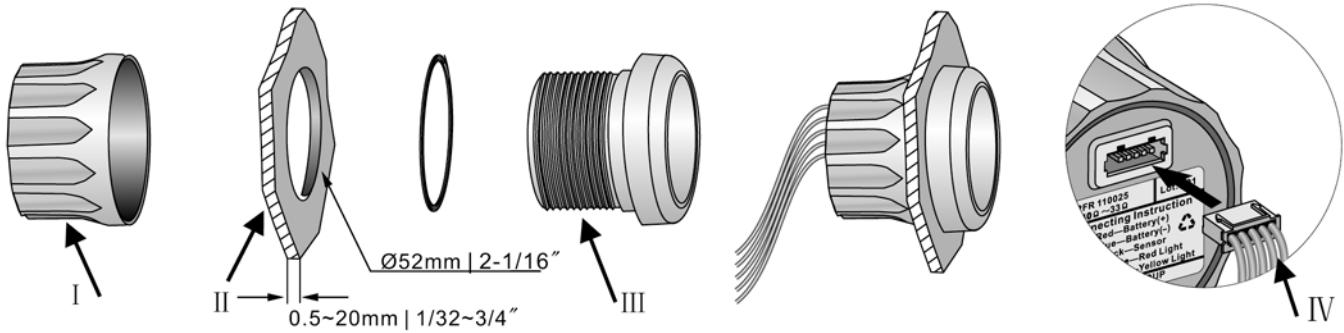


INSTALLATION INSTRUCTIONS



INSTALLATION STEPS

Installation instructions for Wema Amperemeter

1. Cut a 52 mm (2 1/16") diameter hole in panel (II) allow clearance of 55mm (2 3/16") behind the panel.
2. Remove fastening ring (I), insert Gauge from front. Tighten gauge (III) using fastening ring (I)
3. Insert the wire harness (IV) firmly in the gauge
4. Connect cables according to diagram. Connect to 12 or 24 Volt.
5. Choose either red or yellow back light
6. Be sure to connect the cables to the sensor correctly, otherwise charging will show as consumption (- amp).
7. Important: Ensure the main cable size is sufficient to stand the current you expect to charge or consume.